

Java Programming 2

Zheng-Liang Lu

Department of Computer Science & Information Engineering
National Taiwan University

Java2 304
Fall 2018

```
1 class Lecture7 {  
2  
3     // Object-Oriented Programming  
4  
5 }  
6  
7 // Key words:  
8 class, new, this, static, null, extends, super, abstract, final,  
   interface, implements, protected
```

Observation in Real World

- Look around.
- We can easily find many examples for real-world objects.
 - For example, a person with a bottle of water.
- Real-world objects all have **states** and **behaviors**.
 - What states can the object need?
 - What behaviors can the object perform on the states?
- Identifying these states and behaviors for real-world objects is a great way to begin thinking in **object-oriented programming**.
- From now, OO is a shorthand for “object-oriented.”

Objects

- An object keeps its states in **fields** (or attributes) and exposes its behaviors through **methods**.
- Plus, we hide internal states and expose methods which perform actions on the aforesaid states.
- This is so-call **encapsulation**, which is one of OO features.¹
- Before we create the objects, we need to define a new class as their prototype (or concept).

¹The rest of features in OO are **inheritance** and **polymorphism**, which we will see later.

Classes

- We often find many objects all of the same kind.
 - For example, student A and student B are two instances of “student” .
 - Every student needs a name and a student ID.
 - Every student should do homework and pass the final exams.
- **A class is the blueprint to create class instances which are runtime objects.**
 - In the other word, an object is an instance of some associated class.
- In Java, classes are the building blocks in every program.
- Once the class is defined, we can use this class to create objects.

Example: Points in 2D Coordinate

```
1 public class Point {
2     // data members: so-called fields or attributes
3     double x, y;
4 }
```

```
1 public class PointDemo {
2     public static void main(String[] args) {
3         // now create a new instance of Point
4         Point p1 = new Point();
5         p1.x = 1;
6         p1.y = 2;
7         System.out.printf("(%d, %d)\n", p1.x, p1.y);
8
9         // create another instance of Point
10        Point p2 = new Point();
11        p2.x = 3;
12        p2.y = 4;
13        System.out.printf("(%d, %d)\n", p2.x, p2.y);
14    }
15 }
```

Class Definition

- First, give a class name with the first letter capitalized, by convention.
- The class body, surrounded by balanced curly braces {}, contains data members (fields) and function members (methods).

Data Members

- As mentioned earlier, these fields are the states of the object.
- Each field may have an access modifier, say **public** and **private**.
 - **public**: accessible by all classes
 - **private**: accessible only within its own class
- We can decide if these fields are accessible!
- In practice, all fields should be declared **private** to fulfill the concept of encapsulation.
- However, this **private** modifier does not quarantine any security.²
 - What private is good for **maintainability** and **modularity**.³

²Thanks to a lively discussion on January 23, 2017.

³Read <http://stackoverflow.com/questions/9201603/>

Function Members

- As said, the fields are hidden.
- So we provide **getters** and **setters** if necessary:
 - getters: return some state of the object
 - setter: set a value to the state of the object
- For example, **getX()** and **getY()** are getters; **setX()** and **setY()** are setters in the class **Point**.

Example: Point (Encapsulated)

```
1 public class Point {
2     // data members: fields or attributes
3     private double x;
4     private double y;
5
6     // function members: methods
7     public double getX() { return x; }
8     public double getY() { return y; }
9
10    public void setX(double new_x) { x = new_x; }
11    public void setY(double new_y) { y = new_y; }
12 }
```

Exercise: Phonebook

```
1 public class Contact {
2     private String name;
3     private String phoneNumber;
4
5     public String getName() { return name; }
6     public String getPhoneNumber() { return phoneNumber; }
7
8     public void setName(String new_name) { name = new_name; }
9     public void setPhoneNumber(String new_phnNum) {
10         phoneNumber = new_phnNum;
11     }
12 }
```

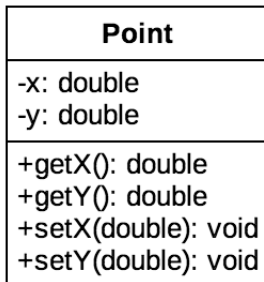
```
1 public class PhonebookDemo {
2
3     public static void main(String[] args) {
4         Contact c1 = new Contact();
5         c1.setName("Arthur");
6         c1.setPhoneNumber("09xxxxxxxx");
7
8         Contact c2 = new Contact();
9         c1.setName("Emma");
10        c1.setPhoneNumber("09xxxxxxxx");
11
12        Contact[] phonebook = {c1, c2};
13
14        for (Contact c: phonebook) {
15            System.out.printf("%s: %s\n", c.getName(),
16                               c.getPhoneNumber());
17        }
18    }
19
20 }
```

Unified Modeling Language⁴

- Unified Modeling Language (UML) is a tool for specifying, visualizing, constructing, and documenting the artifacts of software systems, as well as for business modeling and other non-software systems.
- Free software:
 - <http://staruml.io/> (available for all platforms)

⁴See <http://www.tutorialspoint.com/uml/> and <http://www.mitchellsoftwareengineering.com/IntroToUML.pdf>.

Example: Class Diagram for Point



- Modifiers can be placed before both fields and methods:
 - + for **public**
 - - for **private**

Constructors

- A constructor follows the `new` operator.
- A constructor acts like other methods.
- However, **its names should be identical to the name of the class** and it **has no return type**.
- A class may have several constructors if needed.
 - Recall method overloading.
- Constructors are used **only during the objection creation**.
 - Constructors cannot be invoked by any object.
- If you don't define any explicit constructor, Java assumes a **default constructor** for you.
- Moreover, adding any explicit constructor disables the default constructor.

Parameterized Constructors

- You can provide specific information to objects by using parameterized constructors.
- For example,

```
1 public class Point {  
2     ...  
3     // default constructor  
4     public Point() {  
5         // do something in common  
6     }  
7  
8     // parameterized constructor  
9     public Point(double new_x, double new_y) {  
10        x = new_x;  
11        y = new_y;  
12    }  
13    ...  
14 }
```


Self Reference

- You can refer to any (instance) member of the **current** object within methods and constructors by using **this**.
- The most common reason for using the **this** keyword is because a field is **shadowed** by method parameters.
- You can also use **this** to **call another constructor in the same class** by invoking **this()**.

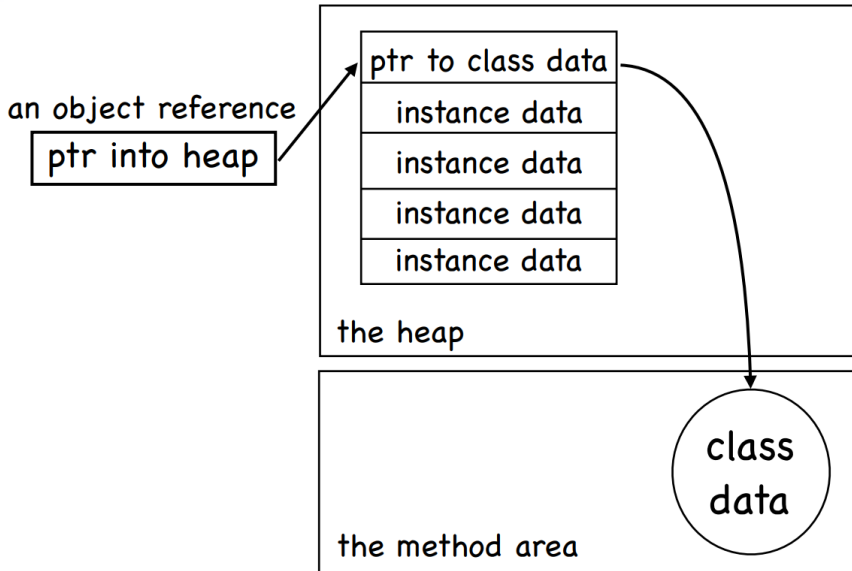
Example: Point (Revisited)

```
1 public class Point {
2     ...
3     public Point(double x, double y) {
4         this.x = x;
5         this.y = y;
6     }
7     ...
8 }
```

- However, the `this` operator cannot be used in `static` methods.

Instance Members

- You may notice that, until now, all members are declared w/o `static`.
- These members are called `instance` members.
- `These instance members are available only after the object is created.`
- This implies that each object has its own states and does some actions.



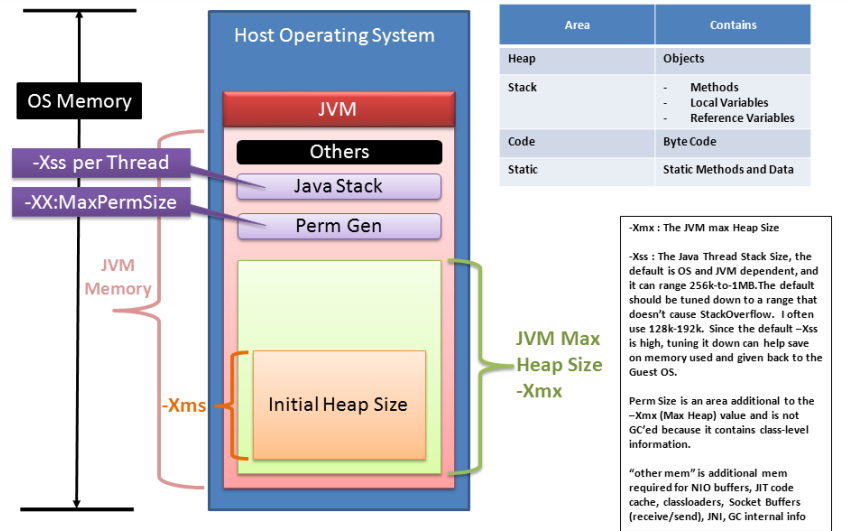
Static Members

- The static members belong to the class⁵, and are **shared** between the instance objects.
- These members are ready **once the class is loaded**.
 - For example, the main method.
- They can be invoked directly by the class name **without** using any instance.
 - For example, **Math.random()** and **Math.PI**.
- They are particularly useful for utility methods that perform work that is independent of instances.
 - For example, factory methods in design patterns.⁶

⁵As known as class members.

⁶“Design pattern is a general reusable solution to a commonly occurring problem within a given context in software design.” by Wikipedia.

Memory used by JVM



JVM Memory = JVM Max Heap (-Xmx value) + JVM Perm Size (-XX:MaxPermSize) + NumberOfConcurrentThreads * (-Xss value) + "other mem"

- A static method can access other static members. (Trivial.)
- However, static methods **cannot** access to instance members **directly**. (Why?)
- For example,

```
1 ...
2     public double getDistanceFrom(Point that) {
3         return Math.sqrt(Math.pow(this.x - that.x, 2)
4                               + Math.pow(this.y - that.y, 2));
5     }
6
7     public static double measure(Point first, Point second) {
8         // You cannot use this.x and this.y here!
9         return Math.sqrt(Math.pow(first.x - second.x, 2)
10                            + Math.pow(first.y - second.y, 2));
11    }
12 ...
```

Example: Count of Points

```
1 public class Point {
2     ...
3     private static int numOfPoints = 0;
4
5     public Point() {
6         numOfPoints++;
7     }
8
9     public Point(int x, int y) {
10        this(); // calling the constructor with no argument
11               // should be placed in the first line
12        this.x = x;
13        this.y = y;
14    }
15    ...
16 }
```


Exercise: Singleton

- In some situations, you may create the **only** instance of the class.

```
1 public class Singleton {
2
3     // Do now allow to invoke the constructor by other classes.
4     private Singleton() {}
5
6     // Will be ready as soon as the class is loaded.
7     private static Singleton INSTANCE = new Singleton();
8
9     // Only way to obtain this singleton by the outside world.
10    public static Singleton getInstance() {
11        return INSTANCE;
12    }
13 }
```

Garbage Collection (GC)⁸

- Java handles deallocation⁷ **automatically**.
 - Timing: preset period or when memory stress occurs.
- GC is the process of looking at the **heap**, identifying if the objects are in use, and deleting those unreferenced objects.
- An object is **unreferenced** if the object is no longer referenced by any part of your program. (How?)
 - Simply assign **null** to the reference to make the object unreferenced.
- Note that you may invoke **System.gc()** to execute the deallocation procedure.
 - However, frequent invocation of GC is time-consuming.

⁷Release the memory occupied by the unused objects.

⁸<http://www.oracle.com/webfolder/technetwork/tutorials/obe/java/gc01/index.html>

finalize()

- The method **finalize()** conducts a specific task that will be executed right before the object is reclaimed by GC.
 - For example, closing files and terminating network connections.
- The **finalize()** method can be **only** invoked prior to GC.
- In practice, it must not rely on the **finalize()** method for normal operations. (Why?)

Example

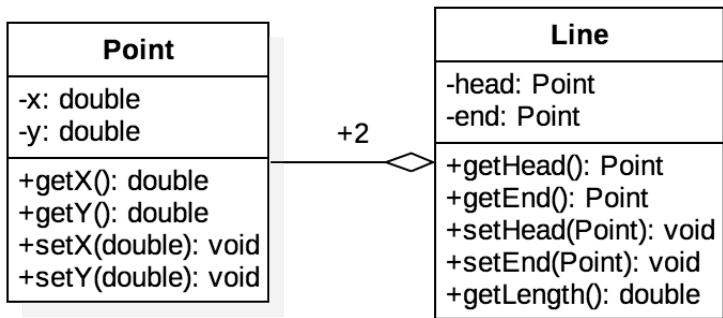
```
1 public class Garbage {
2     private static int numOfObjKilled = 0;
3
4     public void finalize() {
5         numOfObjKilled++;
6     }
7
8     public static void main(String[] args) {
9         double n = 1e7;
10        for (int i = 1; i <= n; i++)
11            new Garbage(); // lots of unreferenced objects
12        System.out.println(numOfObjKilled);
13    }
14 }
```

- You may try different number for instance creation.
- The number of the objects reclaimed by GC is uncertain.

HAS-A Relationship

- **Association** is a weak relationship where all objects have their own lifetime and there is no ownership.
 - For example, teacher ↔ student; doctor ↔ patient.
- If A uses B, then it is an **aggregation**, stating that B exists independently from A.
 - For example, knight ↔ sword; company ↔ employee.
- If A owns B, then it is a **composition**, meaning that B has no meaning or purpose in the system without A.
 - For example, house ↔ room.

Example: Lines



- `+2`: two **Point** objects used in one **Line** object.

```
1 public class Line {
2     private Point head, tail;
3
4     public Line(Point p1, Point p2) {
5         head = p1;
6         tail = p2;
7     }
8
9     public double getLength() {
10        return head.getDistanceFrom(tail);
11    }
12
13    public static double measureLength(Line line) {
14        return line.getLength();
15    }
16 }
```

More Examples

- **Circle**, **Triangle**, and **Polygon**.
- **Book** with **Authors**.
- **Lecturer** and **Students** in the classroom.
- **Zoo** with many creatures, say **Dog**, **Cat**, and **Bird**.
- **Channels** played on **TV**.
- More.

More About Objects

- **Inheritance**: passing down states and behaviors from the parents to their children.
- **Interfaces**: requiring objects for the demanding methods which are exposed to the outside world.
- **Polymorphism**
- **Packages**: grouping related types, and providing access controls and name space management.
- **Immutability**
- **Enumeration types**
- **Inner classes**

First IS-A Relationship: Inheritance

- The relationships among Java classes form **class hierarchy**.
- We can define new classes by **inheriting** commonly used states and behaviors from predefined classes.
- A class is a **subclass** of some class, which is so-called the **superclass**, by using the **extends** keyword.
 - For example, **B extends A**.
- In semantics, **B is a** special case of **A**, or we could say **B specializes A**.
 - For example, human and dog are two specific types of animals.
- When both **B** and **C** are subclasses of **A**, we say that **A generalizes B** and **C**. (Déjà vu.)
- Note that Java allows **single inheritance** only.

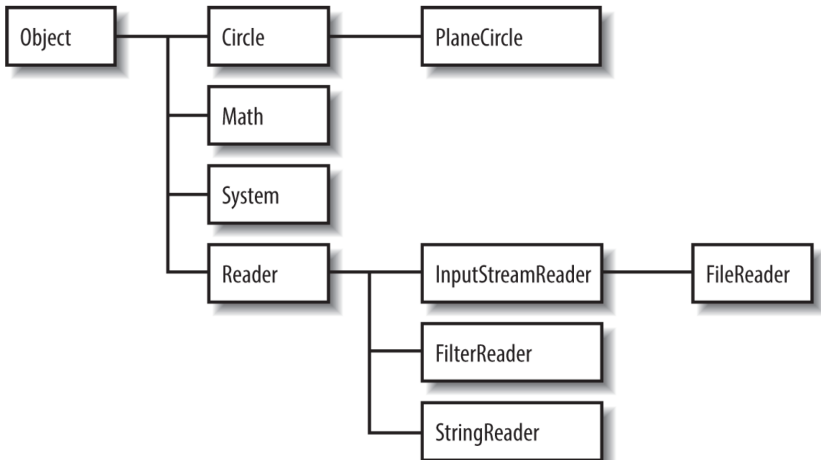
Example

```
1 class Animal {
2     String name;
3     int weight;
4
5     Animal(String s, int w) { name = s; weight = w; }
6
7     void eat() { weight++; }
8     void exercise() { weight--; }
9 }
10
11 class Human extends Animal {
12     Human(String s, int w) { super(s, w); } // why?
13     void writeCode() {}
14 }
15
16 class Dog extends Animal {
17     Dog(String s, int w) { super(s, w); }
18
19     void watchDoor() {}
20 }
```

super

- Recall that the keyword `this` is used to refer to the object itself.
- You can use the keyword `super` to refer to (non-private) members of the superclass.
- Note that `super()` can be used to invoke the constructor of its superclass, just similar to `this()`.

Class Hierarchy⁹



⁹See Fig. 3-1 in p. 113 of Evans and Flanagan.

Constructor Chaining

- As the constructor is invoked, the constructor of its superclass is invoked accordingly.
- You might think that there will be a whole chain of constructors called, all the way back to the constructor of the class **Object**, the topmost class in Java.
- **So every class is an immediate or a distant subclass of Object.**
- For example, **finalize()** and **toString()** are inherited from **Object**.
 - **toString()**: return a string which can be any information stored in the object.


Example

```
1 class A {
2     A() { System.out.println("A is creating..."); }
3 }
4
5 class B extends A {
6     B() { System.out.println("B is creating..."); }
7
8     @Override // annotation
9     public String toString() { return "say something"; }
10 }
11
12 public class ConstructorChainingDemo {
13     public static void main(String[] args) {
14         B b = new B();
15         System.out.println(b);
16     }
17 }
```

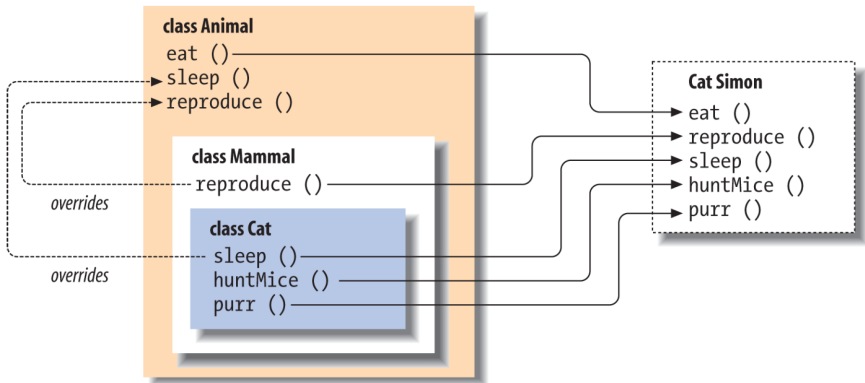
- The **println()** method (and similar methods) can take an object as input, and invoke **toString()** method implicitly.

Method Overriding

- A subclass is allowed to change the behavior inherited from its superclass, if necessary.
- If one defines an instance method **with its signature and return type, all identical to the one defined in its superclass**, then we call it **method overriding**.¹⁰
 - Recall that method overloading occurs only in the same class.
- Note that you could invoke the overridden method by using **super**.

¹⁰Notice that the static methods do not follow this rule. 

Example



Binding

- Association of the method definition to the method call is known as **binding**.
- The binding which can be resolved at the compilation time is known as **static binding** or **early binding**.
 - They are the **static**, **private** or **final** methods.¹¹
- If the compiler is not able to resolve the binding, such binding is known as **dynamic binding** or **late binding**.
 - For example, method overriding.

¹¹We will see the **final** keyword soon.

- When there are multiple implementations of the method in the inheritance hierarchy, the one in the “most derived” class (the furthest down the hierarchy) always overrides the others, even if we refer to the object through a reference variable of the superclass type.¹²
 - As you can see in Cat Simon.
- This is so-called **subtype polymorphism**.

¹²An overridden method in Java acts like a virtual function in C++.

Polymorphism¹³

- The word **polymorphism** literally means “many forms.”
- Java allows 4 types of polymorphism:
 - coercion (casting)
 - ad hoc polymorphism (overloading)
 - subtype polymorphism
 - parametric polymorphism (**generics**)
- Modeling polymorphism in a programming language lets you create a **uniform** interface to different kinds of operands, arguments, and objects.

¹³Read <http://www.javaworld.com/article/3033445/learn-java/java-101-polymorphism-in-java.html>.

Example: Uniform Interface

```
1 class Student {
2     void doMyJob() { /* Do not know the detail yet. */}
3 }
4
5 class HighSchoolStudent extends Student {
6     void doHomework() {}
7
8     @Override
9     void doMyJob() { doHomework(); }
10 }
11
12 class CollegeStudent extends Student {
13     void writeFinalReports() {}
14
15     @Override
16     void doMyJob() { writeFinalReports(); }
17 }
```

```
1 public class PolymorphismDemo {
2
3     public static void main(String[] args) {
4         HighSchoolStudent h = new HighSchoolStudent();
5         goStudy(h);
6         CollegeStudent c = new CollegeStudent();
7         goStudy(c);
8     }
9
10    // uniform interface, multiple implementations;
11    // enhance the flexibility by reducing dependancy,
12    // for future extension (scalability)
13    public static void goStudy(Student s) {
14        s.doMyJob();
15    }
16
17    /* no need to write these methods
18    public static void goStudy(HighSchoolStudent s) {
19        s.doHomework();
20    }
21
22    public static void goStudy(CollegeStudent s) {
23        s.writeFinalReports();
24    }
25    */
26 }
```

Subtype Polymorphism

- For convenience, let **U** be a subtype of **T**.
- **Liskov Substitution Principle** states that **T**-type objects may be replaced with **U**-type objects **without altering any of the desirable properties of T** (correctness, task performed, etc.).^{14,15}

¹⁴See

https://en.wikipedia.org/wiki/Liskov_substitution_principle.

¹⁵Also see

[https://en.wikipedia.org/wiki/SOLID_\(object-oriented_design\)](https://en.wikipedia.org/wiki/SOLID_(object-oriented_design)).

Casting

- **Upcasting** (widening conversion) is to cast the **U** object to the **T** variable.

```
1 T t = new U();
```

- **Downcasting** (narrow conversion) is to cast the **T** variable to a **U** variable.

```
1 U u = (U) t; // t is T variable reference to a U object.
```

- Upcasting is always allowed, but downcasting is allowed **only when** a **U** object is passed to the **U**-type variable.
 - Java type system makes sure that the referenced object provides services adequate for **T** type.

instanceof

- However, type-checking in compilation time is unsound.
- The operator `instanceof` checks if the referenced object is of the type in question.

Example

```
1 class T {}
2 class U extends T {}
3
4 public class InstanceofDemo {
5     public static void main(String[] args) {
6         T t1 = new T();
7
8         System.out.println(t1 instanceof U); // output false
9         System.out.println(t1 instanceof T); // output true
10
11        T t2 = new U(); // upcasting
12
13        System.out.println(t2 instanceof U); // output true
14        System.out.println(t2 instanceof T); // output true
15
16        U u = (U) t2; // downcasting; this is ok.
17
18        u = (U) new T(); // pass the compilation; fail during
19                          // execution!
20    }
```

Abstraction, Method Overriding, and Polymorphism

- JVM invokes the appropriate method for the current object by looking up from the bottom of the class hierarchy to the top.
 - These methods are also called **virtual methods**.
- This preserves the behaviors of the subtype objects and the super-type variables play the role of **placeholder**.
- We often manipulate objects in an abstract level; we don't need to know the details when we use them.
 - For example, computers, cellphones, driving.

Exercise

- Imagine that we have a zoo with some animals.

```
1 class Animal {
2     void speak() {}
3 }
4 class Dog extends Animal {
5     void speak() { System.out.println("woof"); }
6 }
7 class Cat extends Animal {
8     void speak() { System.out.println("meow"); }
9 }
10 class Bird extends Animal {
11     void speak() { System.out.println("tweet"); }
12 }
13
14 public class PolymorphismDemo {
15     public static void main(String[] args) {
16         Animal[] zoo = {new Dog(), new Cat(), new Bird()};
17         for (Animal a: zoo) a.speak();
18     }
19 }
```

final

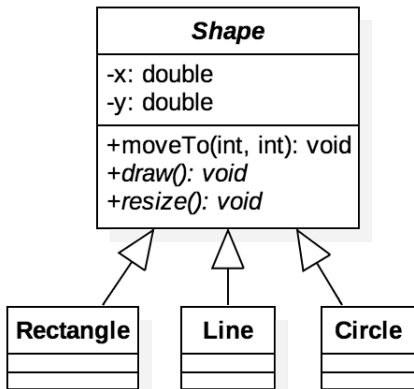
- A **final** variable is a variable which can be initialized once and cannot be changed later.
 - The compiler makes sure that you can do it **only once**.
 - A **final** variable is often declared with **static** keyword and treated as a constant, for example, **Math.PI**.
- A **final** method is a method which **cannot be overridden by subclasses**.
 - You might wish to make a method **final** if it has an implementation that should not be changed and it is critical to the consistent state of the object.
- A class that is declared **final** cannot be inherited.

Abstract Classes

- An abstract class is a class declared **abstract**.
- The classes that sit at the top of an object hierarchy are typically **abstract** classes.¹⁶
- These **abstract** class may or may not have **abstract** methods, which are methods declared **without implementation**.
 - More explicitly, the methods are declared without braces, and followed by a semicolon.
 - If a class has one or more **abstract** methods, then the class itself must be declared **abstract**.
- All **abstract** classes cannot be instantiated.
- Moreover, **abstract** classes act as placeholders for the subclass objects.

¹⁶The classes that sit near the bottom of the hierarchy are called **concrete** classes.

Example



- Abstract methods and classes are in italic.
- In this example, the abstract method *draw()* and *resize()* should be implemented depending on the real shape.

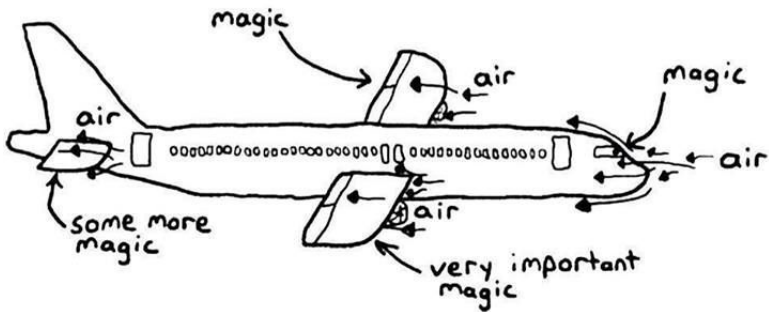
Another IS-A Relationship

- Not all classes share a vertical relationship.
- Instead, some are supposed to perform the specific methods without a vertical relationship.
 - Consider the class **Bird** inherited from **Animal** and **Airplane** inherited from **Transportation**.
 - Both **Bird** and **Airplane** are able to be in the sky.
 - So they should perform the method `canFly()`, for example.
- By semantics, the method `canFly()` could not be defined in their superclasses.
- We need a **horizontal** relationship.

Example

```
1 interface Flyable {
2     void fly(); // implicitly public, abstract
3 }
4
5 class Animal {}
6
7 class Bird extends Animal implements Flyable {
8     void flyByFlappingWings() {
9         System.out.println("flapping wings");
10    }
11
12    public void fly() { flyByFlappingWings(); }
13 }
14
15 class Transportation {}
16
17 class Airplane extends Transportation implements Flyable {
18     void flyByMagic() {
19         System.out.println("flying with magicsssss");
20    }
21
22    public void fly() { flyByMagic(); }
23 }
```

how planes fly



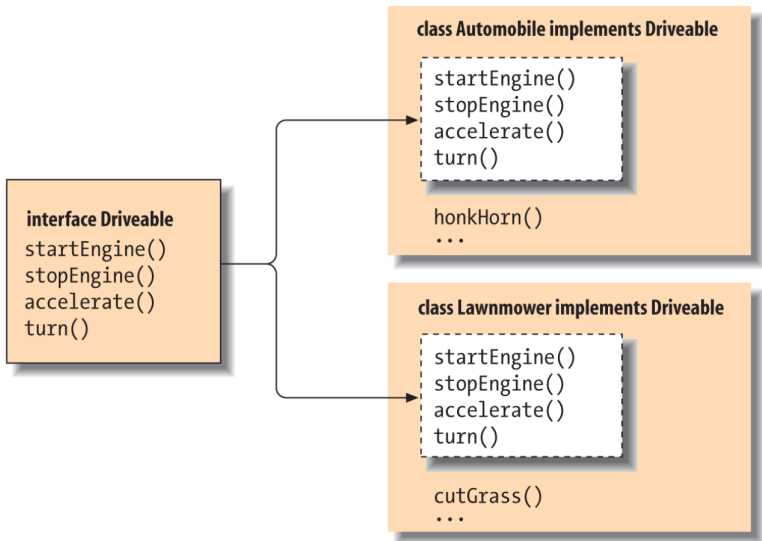
```
1 public class InterfaceDemo {
2     public static void main(String[] args) {
3         Bird b = new Bird();
4         goFly(b);
5
6         Airplane a = new Airplane();
7         goFly(a);
8     }
9
10    public static void goFly(Flyable f) {
11        f.fly();
12    }
13 }
```

Interfaces

- An interface forms a **contract** between the object and the outside world.
 - For example, the buttons on the television set are the interface between you and the electrical wiring on the other side of its plastic casing.
- **An interface is also a reference type, just like classes, in which only method signatures are defined.**
- So they can be the types of reference variables!

- Note that interfaces **cannot** be instantiated (directly).
- A class implements **one or multiple** interfaces by providing method bodies for each predefined signature.
- This **requires an object providing a different set of services.**
- For example, combatants in RPG can also buy and sell stuffs in the market.

Example



Properties of Interfaces

- The methods of an interface are implicitly **public**.
- In most cases, the class which implements the interface should implement **all** the methods defined in the interface.
 - Otherwise, the class should be **abstract**.
- **An interface can extend another interface**, just like a class which can extend another class.
 - In contrast with classes, an interface can extend many interfaces.

- Common interfaces are **Runnable**¹⁷ and **Serializable**¹⁸.
- In JDK8, we have new features as follows:
 - we can declare **static** fields¹⁹ and methods in the interfaces;
 - we can also define **default** methods in the interfaces;
 - Java provides so-called **functional interfaces** for **lambdas** which are widely used in **the stream framework**. (Stay tuned in Java 2!)

¹⁷See Java Multithread.

¹⁸Used for an object which can be represented as a sequence of bytes. This is called object serialization.

¹⁹But they should be **final**.

Timing for Interfaces and Abstract Classes

- Consider using abstract classes if you want to:
 - share code among several closely related classes
 - declare non-static or non-final fields
- Consider using interfaces for any of situations as follows:
 - unrelated classes would implement your interface
 - specify the behavior of a particular data type, but not concerned about who implements its behavior
 - take advantage of multiple inheritance
- Program to abstraction, not to implementation.²⁰

²⁰See [software engineering](#) or [object-oriented analysis and design](#).

Wrapper Classes

- To treat values as objects, Java supplies standard wrapper classes for each primitive type.
- For example, you can construct a wrapper object from a primitive value or from a string representation of the value.

```
1 ...  
2     Double pi = new Double("3.14");  
3 ...
```

Primitive	Wrapper
-----------	---------

void	java.lang.Void
------	----------------

boolean	java.lang.Boolean
---------	-------------------

char	java.lang.Character
------	---------------------

byte	java.lang.Byte
------	----------------

short	java.lang.Short
-------	-----------------

int	java.lang.Integer
-----	-------------------

long	java.lang.Long
------	----------------

float	java.lang.Float
-------	-----------------

double	java.lang.Double
--------	------------------

Autoboxing and Unboxing of Primitives

- The Java compiler automatically wraps the primitives in their wrapper types, and unwraps them where appropriate.

```
1 ...
2     Integer i = 1; // autoboxing
3     Integer j = 2;
4     Integer k = i + 1; // autounboxing and then autoboxing
5     System.out.println(k); // output 2
6
7     System.out.println(k == j); // output true
8     System.out.println(k.equals(j)); // output true
9 ...
```

- The method **equals()** inherited from **Object** is used to compare two objects.
 - You may override this method if necessary.

Immutable Objects

- An object is considered **immutable** if its state cannot change after it is constructed.
- Often used for **value objects**.
- Imagine that there is a pool for immutable objects.
- After the value object is first created, this value object is reused if needed.
- This implies that another object is created when we operate on the immutable object.



- For example,


```
1 ...
2     k = new Integer(1);
3     System.out.println(i == k); // output false (why?)
4     System.out.println(k.equals(i)); // output true
5 ...
```

- Good practice when it comes to concurrent programming.²¹
- Another example is String objects.

²¹See <http://www.javapractices.com/topic/TopicAction.do?Id=29>.

enum Types²²

- An `enum` type is a reference type limited to an explicit set of values.
- An order among these values is defined by their order of declaration.
- There exists a correspondence with string names identical to the name declared.

²²The keyword `enum` is a shorthand for enumeration. 

Example: Colors

```
1 enum Color {
2     RED, GREEN, BLUE; // three options
3
4     static Color random() {
5         Color[] colors = values();
6         return colors[(int) (Math.random() * colors.length)];
7     }
8 }
```

- Note that **Color** is indeed a subclass of **enum** type with 3 **static** and **final** references to 3 Color objects corresponding to the enumerated values.
- This mechanism enhances type safety and makes the source code more readable!

```
1 Class Pen {
2     Color color;
3     Pen(Color color) { this.color = color; }
4 }
5
6 Class Clothes {
7     Color color;
8     T-Shirt(Color color) { this.color = color; }
9     void setColor(Color new_color) { this.color = new_color; }
10 }
11
12 public class EnumDemo {
13     public static void main(String[] args) {
14         Pen crayon = new Pen(Color.RED);
15         Clothes T_shirt = new Clothes(Color.random());
16         System.out.println(crayon.color == T_shirt.color);
17     }
18 }
```

Exercise: Directions

```
1  enum Direction {UP, DOWN, LEFT, RIGHT}
2
3  /* equivalence
4  class Direction {
5      final static Direction UP = new Direction("UP");
6      final static Direction DOWN = new Direction("DOWN");
7      final static Direction LEFT = new Direction("LEFT");
8      final static Direction RIGHT = new Direction("RIGHT");
9
10     private final String name;
11
12     static Direction[] values() {
13         return new Direction[] {UP, DOWN, LEFT, RIGHT};
14     }
15
16     private Direction(String str) {
17         this.name = str;
18     }
19 }
20 */
```

Packages

- We organize related types into packages for the following purposes:
 - To make types easier to find and use
 - To avoid naming conflicts
 - To control access
- For example, fundamental classes are in **java.lang** and classes for I/O are in **java.io**.

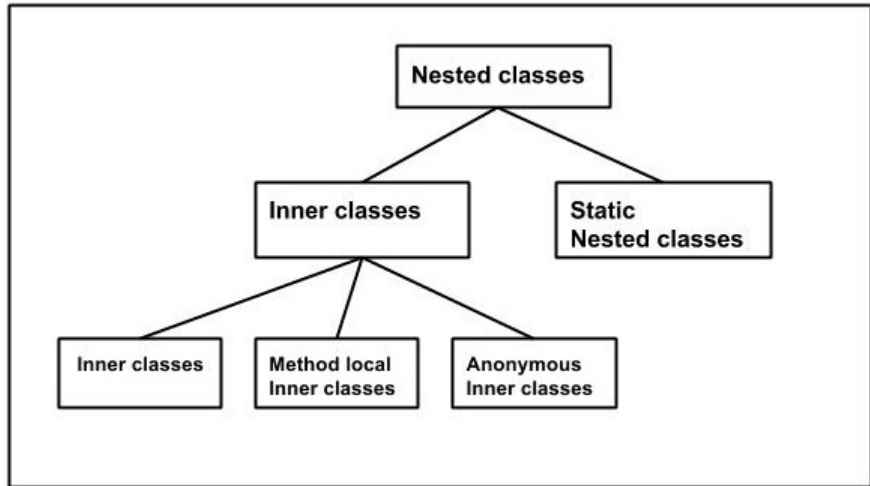
Access Control

Scope \ Modifier	private	(package)	protected	public
Within the class	✓	✓	✓	✓
Within the package	x	✓	✓	✓
Inherited classes	x	x	✓	✓
Out of package	x	x	x	✓

Nested Classes

- A nested class is a member of its enclosing class.
- **Non-static** nested classes have access to other members of the enclosing class, even if they are declared **private**.
- Instead, **static** nested classes do not have access to other instance members of the enclosing class.
- We use nested classes when it needs to
 - logically group classes that are only used in one place
 - increase encapsulation
 - lead to more readable and maintainable code

Family of Nested Classes



Non-Static Nested Classes

- Depending on how and where you define them, they can be further divided in three types:
 - inner classes
 - method-local inner classes
 - anonymous inner classes
- Unlike a normal class, an inner class can be declared **private**.
- Note that the creation of inner-type objects is available after the outer-type object is created.
 - In other words, you cannot invoke the constructor of the inner type without having the outer type object.
- For static members in the inner classes,
 - you can declare a static variable which is supposed to be **final**;
 - however, static methods can only be declared in a static or top level type.

Example: Inner Class

```
1 class OuterClass {
2     private int x = 1;
3     InnerClass innerObject = new InnerClass();
4
5     class InnerClass {
6         public void print() {
7             System.out.println(x); // ok!
8         }
9     }
10 }
11
12 public class InnerClassDemo {
13     public static void main(String[] args) {
14         OuterClass outerObject = new OuterClass();
15         outerObject.innerObject.print(); // output 1
16
17         // you cannot do below
18         InnerClass innerObject = new InnerClass();
19     }
20 }
```

Example: Method-Local Inner Class

```
1 class OuterClass {
2     private int x = 1;
3
4     void doSomething() {
5         class LocalClass { // should be in the beginning
6             int y = 2;
7             static int z = 3; // implicitly final
8
9             void print() {
10                System.out.println(x);
11                System.out.println(y);
12                System.out.println(z);
13            }
14        }
15
16        LocalClass w = new LocalClass();
17        w.print();
18    }
19 }
20
21 public class InnerClassDemo {
22     ...
23 }
```

Anonymous Inner Class

- Anonymous inner classes are an extension of the syntax of the `new` operation, enabling you to declare and instantiate a class at the same time.
 - However, these do not have a name.
- Use them when you need to use these types **only once**.

Example

```
1 abstract class A {
2     abstract void foo();
3 }
4
5 public class AnonymousClassDemoOne {
6     public static void main(String[] args) {
7         A a = new A() {
8             public void foo() { /* different implementation */
9                 void helper() { /* a subroutine for foo */ }
10            };
11
12            a.foo();
13        }
14    }
```

- You may invoke `a.foo()` but not `a.helper()` because `helper()` is not defined in class `A`.

Exercise

```
1 interface B {
2     void foo();
3 }
4
5 public class AnonymousClassDemoTwo {
6     public static void main(String[] args) {
7         B b = new B() {
8             public void foo() { /* different implementation */ }
9         };
10
11         b.foo();
12     }
13 }
```

- An interface can be used to instantiate an object **indirectly** by anonymous classes with implementing the abstract methods.

One of Adapters: Iterators

- An important use of inner classes is to define an **adapter class** as a helper object.
- Using adapter classes, we can write classes more naturally, without having to anticipate every conceivable user's needs in advance.
- Instead, you provide adapter classes that marry your class to a particular interface.
- For example, an **iterator** is a simple and standard interface to enumerate elements in data structures.
 - The class which implements the interface **Iterable** has the responsibility to provide an iterator.
 - An iterator is defined in the interface **Iterator** with two unimplemented methods: `hasNext()` and `next()`.

Example

```
1 import java.util.Iterator;
2
3 class Box implements Iterable<Integer> { // <...> is generic
4
5     int[] items = {10, 20, 30};
6
7     public Iterator<Integer> iterator() {
8         return new Iterator<Integer>() {
9             private int ptr = 0;
10
11             public boolean hasNext() {
12                 return ptr < items.length;
13             }
14
15             public Integer next() {
16                 return items[ptr++];
17             }
18         };
19     }
20 }
```

```
1 public class IteratorDemo {
2     public static void main(String[] args) {
3         Box myBox = new Box();
4
5         // for-each loop
6         for (Integer item: myBox) {
7             System.out.println(item);
8         }
9
10        // equivalence
11        Iterator iterOfMyBox = myBox.iterator();
12        while (iterOfMyBox.hasNext())
13            System.out.println(iterOfMyBox.next());
14    }
15 }
```


Static Nested Class


- A **static** inner class is a nested class declared **static**.
 - Similar to the static members, they can access to other **static** members **without** instantiating the outer class.
 - Also, a **static** nested class does not have access to the instance members of the outer class.
- In particular, the static nested class can be instantiated directly, **without** instantiating the outer class object first.
 - Static nested classes act something like a **minipackage**.

Example

```
1 class OuterClass {
2     static int x = 1;
3     int y = 2;
4
5     static class StaticClass {
6         int z = 3;
7         void doSomething() {
8             System.out.println(x);
9             System.out.println(y); // cannot do this
10            System.out.println(z);
11        }
12    }
13 }
14
15 public class StaticNestedClassDemo {
16     public static void main(String[] args) {
17         OuterClass.StaticClass x = new OuterClass.StaticClass();
18         x.doSomething();
19     }
20 }
```

Classpath²³

- The variable **classpath** is an environment variable for the Java compiler to specify the location of user-defined classes and packages.
 - By default, only the packages of the JDK standard API and extension packages are accessible without needing to set where to find them.
- The path for all user-defined packages and libraries must be set in the command-line (or in the Manifest associated with the JAR file containing the classes).

²³[https://en.wikipedia.org/wiki/Classpath_\(Java\)](https://en.wikipedia.org/wiki/Classpath_(Java)) 

Usage of Classpath

- You may use the following command in any terminal:
`java -cp [the absolute path of the classes or packages] [the full name of the application to run]`
- For Windows users, try
`java -cp c:\workspace\project train.java.HelloWorld`
- On Linux/Unix/Mac OS users, try
`java -cp /workspace/project train.java.HelloWorld`

Java Archive (JAR)²⁵

- JAR is a packed format typically used to aggregate many Java class files, associated metadata²⁴ and resources (text, images, etc.) into one file to distribute the application software or libraries running on the Java platform.
 - Try an executable JAR!

²⁴Metadata refers data of data.

²⁵See <https://docs.oracle.com/javase/tutorial/deployment/jar/>. 